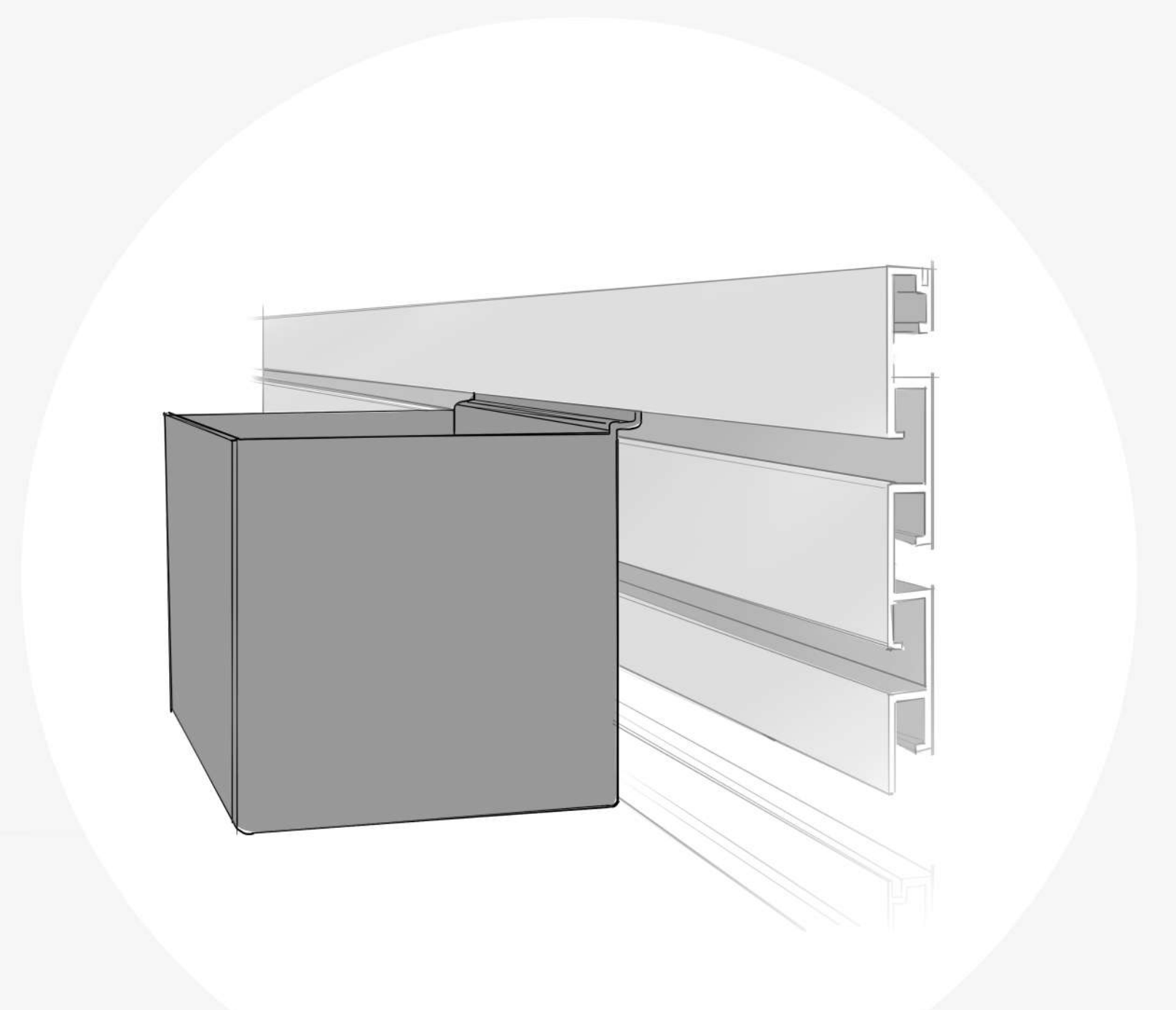


THE BONFIRE FRAMEWORK

Construction

- Non-combustible thick gauge marine grade aluminum
- All 304 stainless steel internal hardware



Integrated Backsplash System

- Extruded aluminum with electrostatic powder coating
- Clip-in planters and accessories available

Easy to Personalize

- Super durable electrostatic powder coating available in beautiful colors



- "Living finishes" bronze handles available in various shapes and colors

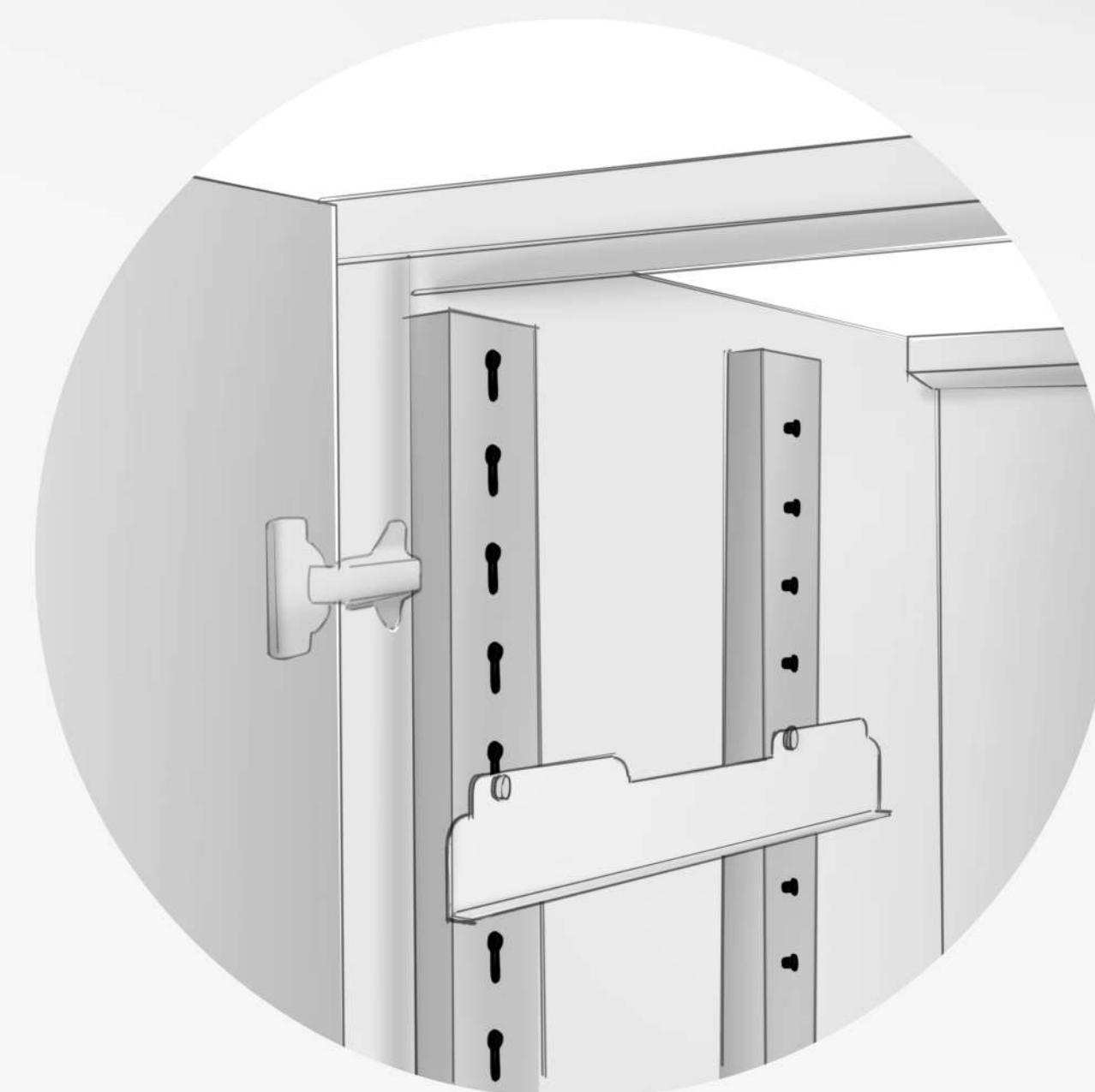


Planter Boxes

- Fully welded, powder coated aluminum
- Custom shapes, heights and sizes available

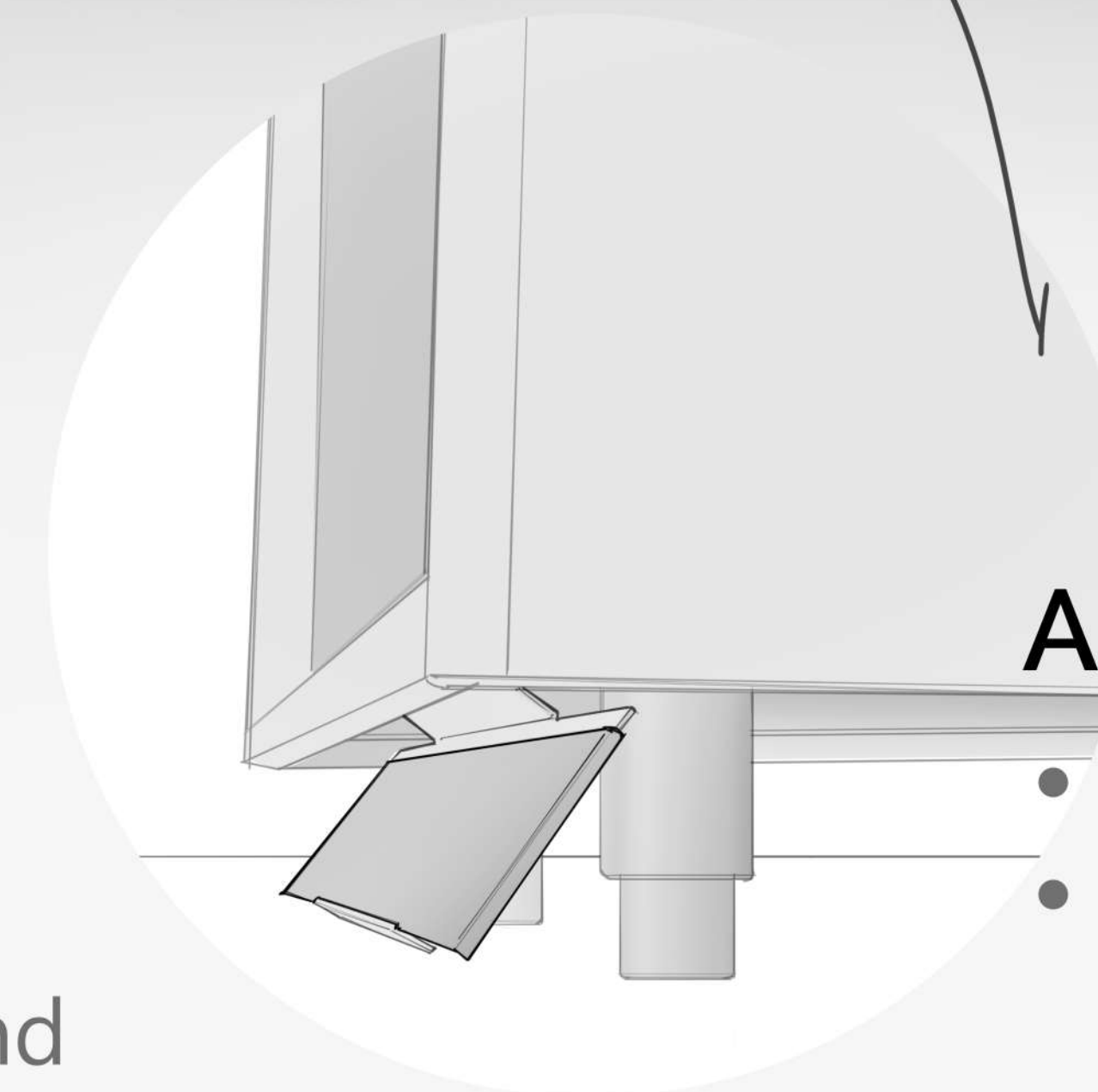
Compatibility

- Custom trim kits for easy compatibility with all major brands and models
- Ready to receive Dekton, Sensa and other outdoor-rated countertop materials



Universal Track System

- Numerous interior accessory options allow for easy customization
- Maximized efficiency, functionality and usage of every cabinet



A Solid Foundation

- Commercial grade stainless steel leveling legs
- Self-leveling toe kick that adapts to slope and other site conditions

