

Le BOL  
Grill



Friends, Family, Food.

# Grilling over wood just tastes better

Le BOL lets you cook over an open wood fire la plancha style. Its 40" sear plate creates an exquisite outdoor social grilling experience.

Whether you're using the 1/2" carbon steel sear plate for fish and veggies, or the center grill to finish off a steak, Le BOL is so versatile you can even treat your guests to caramel popcorn right off the plate.

Cleaning is easy! Scrape food scraps into the wood fire, then wipe it clean with a bit of oil and it will be ready for the next time. Designed to stay outside and to cook all year long, Le BOL generously radiates heat for cool weather grilling.

An experience unlike any other, Le BOL is a natural focal point for good friends, family and food.



Watch our Le BOL Grill video on YouTube.

## Stainless Steel Grill

- 304 stainless steel
- 3/8" thick
- Removable handles

## Cooktop

- Durable, 1/2" thick Carbon Steel cooktop
- Unique Decagon shape
- Excellent heat conduction
- Non-stick properties (after seasoning)

## Air Injection

- Fresh air is fed from the fire bowl
- Replaceable steel liner with 220 air injection holes
- Hot, crackling wood fire with less smoke, but all the flavor
- Hotter fire because it's burning more efficiently

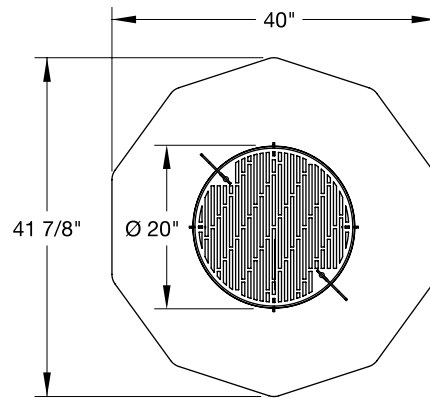
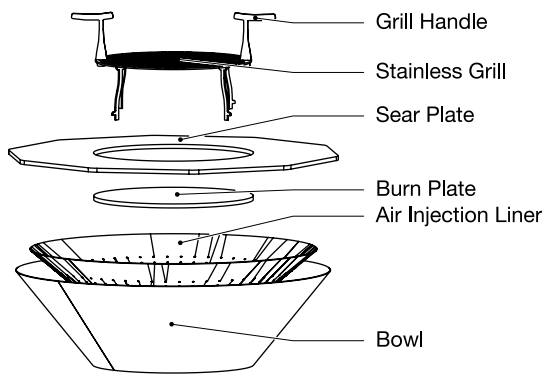
## COOK OVER AN OPEN WOOD FIRE



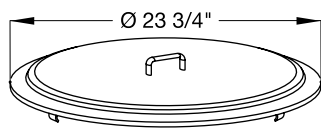
# Options List

| OPTION                               | CODE       | DESCRIPTION   |
|--------------------------------------|------------|---|
| <b>Le BOL Outdoor Grill</b>          | DG-BOL     | Oxidized patina finish, includes stainless grill                |
| <b>Le BOL Outdoor Grill (Black)</b>  | DG-BOL-B   | Black matte finish, includes stainless steel grill              |
| <b>Pedestal – High (24")</b>         | DO-PEDH    | 24" Pedestal, oxidized patina finish                            |
| <b>Pedestal – High (24") (Black)</b> | DO-PEDH-B  | 24" Pedestal, matte black finish                                |
| <b>Pedestal – Low (8")</b>           | DO-PEDL    | 8" Pedestal, oxidized patina finish                             |
| <b>Pedestal – Low (8") (Black)</b>   | DO-PEDL-B  | 8" Pedestal, matte black finish                                 |
| <b>Cover – Stainless Steel Cover</b> | DO-COV     | Stainless steel cover for burn pit                              |
| <b>Cover – Fabric</b>                | DO-COV-FAB | Water resistant fabric which covers the burn pit and sear plate |
| <b>Table – Table for Le BOL</b>      | DO-TBL     | Black powder coated steel table for Le BOL                      |

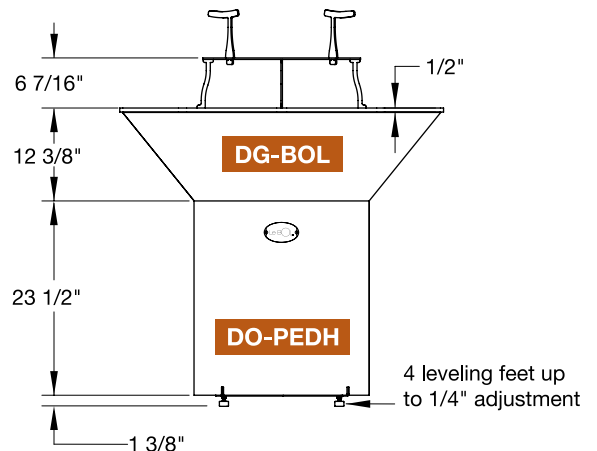
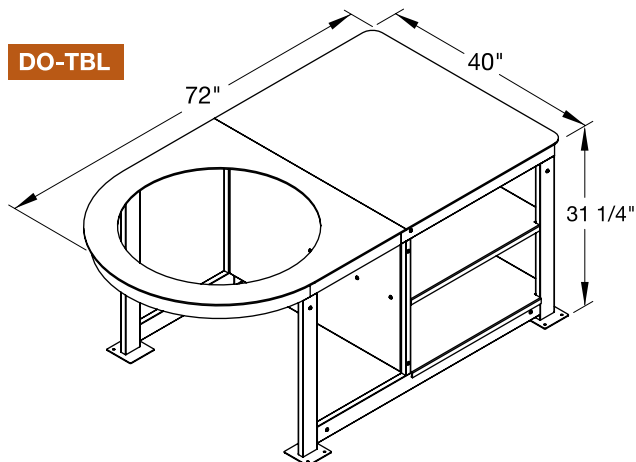
**DG-BOL** Includes the following:



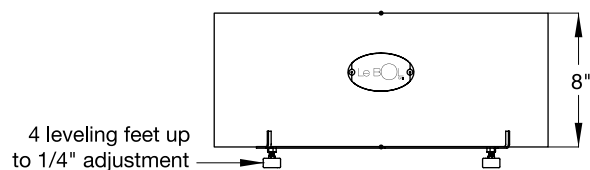
**DO-COV**



**DO-TBL**



**DO-PEDL**



# Le BOL Grill



Wood chopping block not included.